

DS90CR285/DS90CR286

+3.3V Rising Edge Data Strobe LVDS 28-Bit Channel Link-66 MHz

General Description

The DS90CR285 transmitter converts 28 bits of LVCMOS/LVTTL data into four LVDS (Low Voltage Differential Signaling) data streams. A phase-locked transmit clock is transmitted in parallel with the data streams over a fifth LVDS link. Every cycle of the transmit clock 28 bits of input data are sampled and transmitted. The DS90CR286 receiver converts the LVDS data streams back into 28 bits of LVCMOS/LVTTL data. At a transmit clock frequency of 66 MHz, 28 bits of TTL data are transmitted at a rate of 462 Mbps per LVDS data channel. Using a 66 MHz clock, the data throughput is 1.848 Gbit/s (231 Mbytes/s).

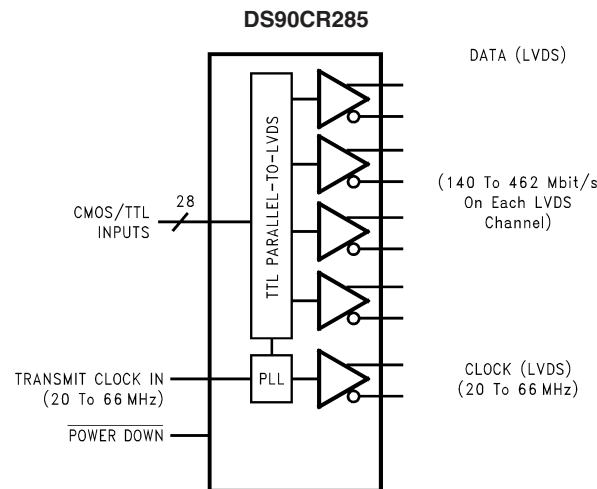
The multiplexing of the data lines provides a substantial cable reduction. Long distance parallel single-ended buses typically require a ground wire per active signal (and have very limited noise rejection capability). Thus, for a 28-bit wide data and one clock, up to 58 conductors are required. With the Channel Link chipset as few as 11 conductors (4 data pairs, 1 clock pair and a minimum of one ground) are needed. This provides a 80% reduction in required cable width, which provides a system cost savings, reduces connector physical size and cost, and reduces shielding requirements due to the cables' smaller form factor.

The 28 LVCMOS/LVTTL inputs can support a variety of signal combinations. For example, seven 4-bit nibbles or three 9-bit (byte + parity) and 1 control.

Features

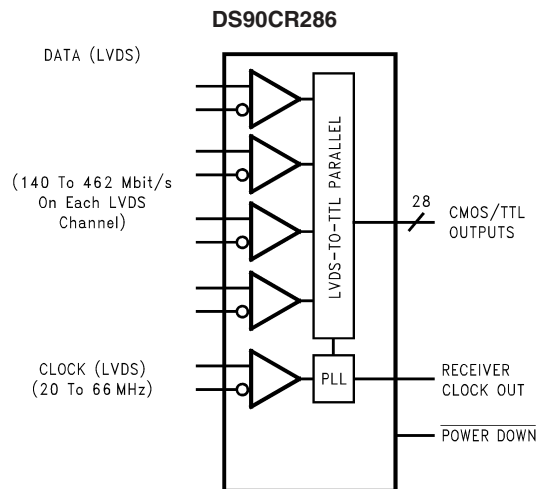
- Single +3.3V supply
- Chipset (Tx + Rx) power consumption <250 mW (typ)
- Power-down mode (<0.5 mW total)
- Up to 231 Megabytes/sec bandwidth
- Up to 1.848 Gbps data throughput
- Narrow bus reduces cable size
- 290 mV swing LVDS devices for low EMI
- +1V common mode range (around +1.2V)
- PLL requires no external components
- Both devices are offered in a Low profile 56-lead TSSOP package
- Rising edge data strobe
- Compatible with TIA/EIA-644 LVDS standard
- ESD Rating > 7 kV
- Operating Temperature: -40°C to +85°C

Block Diagrams



Order Number DS90CR285MTD
See NS Package Number MTD56

01291001

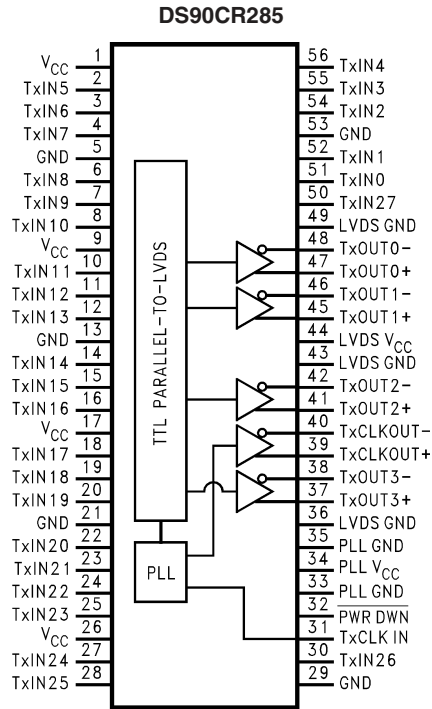


Order Number DS90CR286MTD
See NS Package Number MTD56

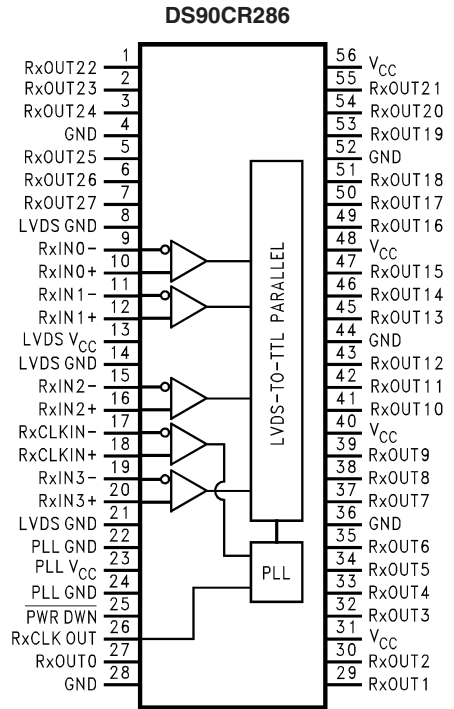
01291027

TRI-STATE® is a registered trademark of National Semiconductor Corporation.

Pin Diagrams for TSSOP Packages

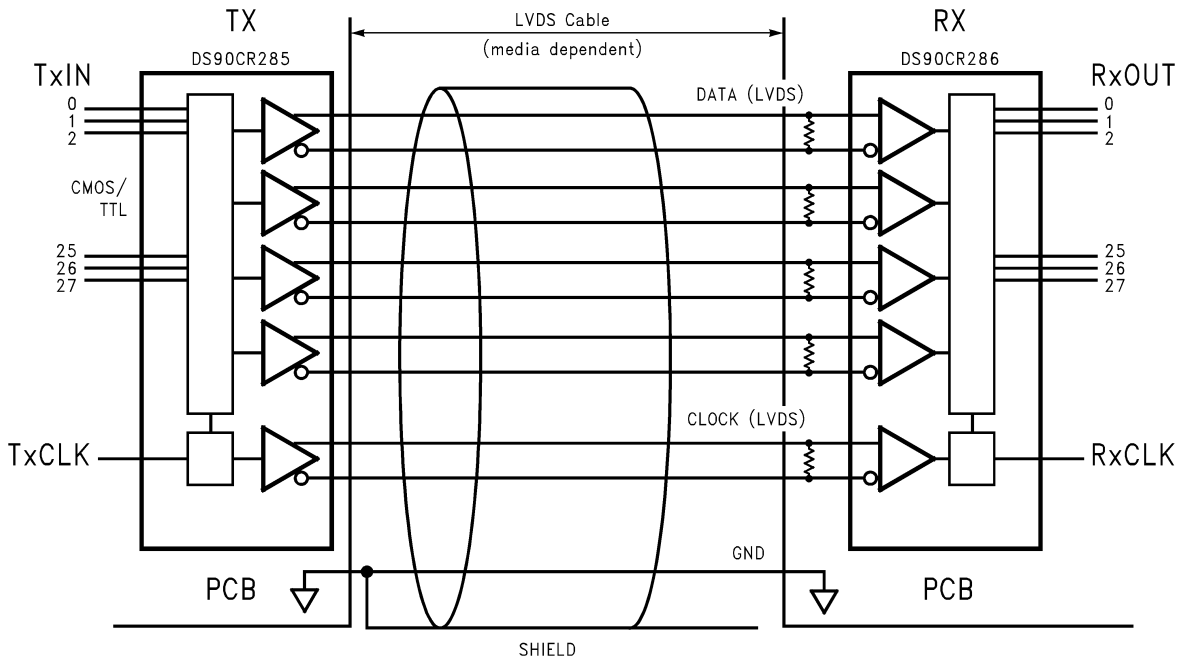


01291021



01291022

Typical Application



01291023

Absolute Maximum Ratings (Note 1)

If Military/Aerospace specified devices are required, please contact the National Semiconductor Sales Office/Distributors for availability and specifications.

Supply Voltage (V_{CC})	-0.3V to +4V
CMOS/TTL Input Voltage	-0.3V to ($V_{CC} + 0.3V$)
CMOS/TTL Output Voltage	-0.3V to ($V_{CC} + 0.3V$)
LVDS Receiver Input Voltage	-0.3V to ($V_{CC} + 0.3V$)
LVDS Driver Output Voltage	-0.3V to ($V_{CC} + 0.3V$)
LVDS Output Short Circuit Duration	Continuous
Junction Temperature	+150°C
Storage Temperature	-65°C to +150°C
Lead Temperature (Soldering, 4 sec.)	+260°C
Solder Reflow Temperature	

Maximum Package Power Dissipation @ +25°C

DS90CR285MTD	1.63 W
DS90CR286MTD	1.61 W

Package Derating:

DS90CR285MTD	12.5 mW/°C above +25°C
DS90CR286MTD	12.4 mW/°C above +25°C

ESD Rating

(HBM, 1.5 kΩ, 100 pF)	> 7 kV
-----------------------	--------

Recommended Operating Conditions

	Min	Nom	Max	Units
Supply Voltage (V_{CC})	3.0	3.3	3.6	V
Operating Free Air Temperature (T_A)	-40	+25	+85	°C
Receiver Input Range	0		2.4	V
Supply Noise Voltage (V_{CC})			100	mV _{PP}

Electrical Characteristics

Over recommended operating supply and temperature ranges unless otherwise specified

Symbol	Parameter	Conditions	Min	Typ	Max	Units
LVCMOS/LVTTL DC SPECIFICATIONS						
V_{IH}	High Level Input Voltage		2.0		V_{CC}	V
V_{IL}	Low Level Input Voltage		GND		0.8	V
V_{OH}	High Level Output Voltage	$I_{OH} = -0.4$ mA	2.7	3.3		V
V_{OL}	Low Level Output Voltage	$I_{OL} = 2$ mA		0.06	0.3	V
V_{CL}	Input Clamp Voltage	$I_{CL} = -18$ mA		-0.79	-1.5	V
I_{IN}	Input Current	$V_{IN} = V_{CC}, GND, 2.5V$ or 0.4V		±5.1	±10	μA
I_{OS}	Output Short Circuit Current	$V_{OUT} = 0V$		-60	-120	mA
LVDS DRIVER DC SPECIFICATIONS						
V_{OD}	Differential Output Voltage	$R_L = 100\Omega$	250	290	450	mV
ΔV_{OD}	Change in V_{OD} between Complimentary Output States				35	mV
V_{OS}	Offset Voltage (Note 4)		1.125	1.25	1.375	V
ΔV_{OS}	Change in V_{OS} between Complimentary Output States				35	mV
I_{OS}	Output Short Circuit Current	$V_{OUT} = 0V, R_L = 100\Omega$		-3.5	-5	mA
I_{OZ}	Output TRI-STATE® Current	$\overline{PWR\ DWN} = 0V, V_{OUT} = 0V$ or V_{CC}		±1	±10	μA
LVDS RECEIVER DC SPECIFICATIONS						
V_{TH}	Differential Input High Threshold	$V_{CM} = +1.2V$			+100	mV
V_{TL}	Differential Input Low Threshold		-100			mV
I_{IN}	Input Current	$V_{IN} = +2.4V, V_{CC} = 3.6V$			±10	μA
		$V_{IN} = 0V, V_{CC} = 3.6V$			±10	μA

Electrical Characteristics (Continued)

Over recommended operating supply and temperature ranges unless otherwise specified

Symbol	Parameter	Conditions	Min	Typ	Max	Units	
TRANSMITTER SUPPLY CURRENT							
I_{CCTW}	Transmitter Supply Current Worst Case (with Loads)	$R_L = 100\Omega$, $C_L = 5 \text{ pF}$, Worst Case Pattern (Figures 1, 2) , $T_A = -10^\circ\text{C}$ to $+70^\circ\text{C}$	$f = 32.5 \text{ MHz}$		31	45	mA
			$f = 37.5 \text{ MHz}$		32	50	mA
			$f = 66 \text{ MHz}$		37	55	mA
		$R_L = 100\Omega$, $C_L = 5 \text{ pF}$, Worst Case Pattern (Figures 1, 2) , $T_A = -40^\circ\text{C}$ to $+85^\circ\text{C}$	$f = 40 \text{ MHz}$		38	51	mA
$f = 66 \text{ MHz}$			42	55	mA		
I_{CCTZ}	Transmitter Supply Current Power Down	$\overline{\text{PWR DWN}} = \text{Low}$ Driver Outputs in TRI-STATE under Powerdown Mode		10	55	μA	
RECEIVER SUPPLY CURRENT							
I_{CCRW}	Receiver Supply Current Worst Case	$C_L = 8 \text{ pF}$, Worst Case Pattern (Figures 1, 3) , $T_A = -10^\circ\text{C}$ to $+70^\circ\text{C}$	$f = 32.5 \text{ MHz}$		49	65	mA
			$f = 37.5 \text{ MHz}$		53	70	mA
			$f = 66 \text{ MHz}$		78	105	mA
		$C_L = 8 \text{ pF}$, Worst Case Pattern (Figures 1, 3) , $T_A = -40^\circ\text{C}$ to $+85^\circ\text{C}$	$f = 40 \text{ MHz}$		55	82	mA
			$f = 66 \text{ MHz}$		78	105	mA
I_{CCRZ}	Receiver Supply Current Power Down	$\overline{\text{PWR DWN}} = \text{Low}$ Receiver Outputs Stay Low during Powerdown Mode		10	55	μA	

Note 1: "Absolute Maximum Ratings" are those values beyond which the safety of the device cannot be guaranteed. They are not meant to imply that the device should be operated at these limits. The tables of "Electrical Characteristics" specify conditions for device operation.

Note 2: Typical values are given for $V_{\text{CC}} = 3.3\text{V}$ and $T_A = +25^\circ\text{C}$.

Note 3: Current into device pins is defined as positive. Current out of device pins is defined as negative. Voltages are referenced to ground unless otherwise specified (except V_{OD} and ΔV_{OD}).

Note 4: V_{OS} previously referred as V_{CM} .

Transmitter Switching Characteristics

Over recommended operating supply and -40°C to $+85^\circ\text{C}$ ranges unless otherwise specified

Symbol	Parameter	Min	Typ	Max	Units	
LLHT	LVDS Low-to-High Transition Time (Figure 2)		0.5	1.5	ns	
LHLT	LVDS High-to-Low Transition Time (Figure 2)		0.5	1.5	ns	
TCIT	TxCLK IN Transition Time (Figure 4)			5	ns	
TCCS	TxOUT Channel-to-Channel Skew (Figure 5)		250		ps	
TTPos0	Transmitter Output Pulse Position for Bit0 (Note 7) (Figure 16)	$f = 40 \text{ MHz}$	-0.4	0	0.4	ns
TTPos1	Transmitter Output Pulse Position for Bit1		3.1	3.3	4.0	ns
TTPos2	Transmitter Output Pulse Position for Bit2		6.5	6.8	7.6	ns

Transmitter Switching Characteristics (Continued)

Over recommended operating supply and -40°C to $+85^{\circ}\text{C}$ ranges unless otherwise specified

Symbol	Parameter	Min	Typ	Max	Units
TPPos3	Transmitter Output Pulse Position for Bit3	10.2	10.4	11.0	ns
TPPos4	Transmitter Output Pulse Position for Bit4	13.7	13.9	14.6	ns
TPPos5	Transmitter Output Pulse Position for Bit5	17.3	17.6	18.2	ns
TPPos6	Transmitter Output Pulse Position for Bit6	21.0	21.2	21.8	ns
TPPos0	Transmitter Output Pulse Position for Bit0 (Note 6) (Figure 16)	-0.4	0	0.3	ns
TPPos1	Transmitter Output Pulse Position for Bit1	1.8	2.2	2.5	ns
TPPos2	Transmitter Output Pulse Position for Bit2	4.0	4.4	4.7	ns
TPPos3	Transmitter Output Pulse Position for Bit3	6.2	6.6	6.9	ns
TPPos4	Transmitter Output Pulse Position for Bit4	8.4	8.8	9.1	ns
TPPos5	Transmitter Output Pulse Position for Bit5	10.6	11.0	11.3	ns
TPPos6	Transmitter Output Pulse Position for Bit6	12.8	13.2	13.5	ns
TCIP	TxCLK IN Period (Figure 6)	15	T	50	ns
TCIH	TxCLK IN High Time (Figure 6)	0.35T	0.5T	0.65T	ns
TCIL	TxCLK IN Low Time (Figure 6)	0.35T	0.5T	0.65T	ns
TSTC	TxIN Setup to TxCLK IN (Figure 6)	2.5			ns
THTC	TxIN Hold to TxCLK IN (Figure 6)	0			ns
TCCD	TxCLK IN to TxCLK OUT Delay @ 25°C , $V_{\text{CC}}=3.3\text{V}$ (Figure 8)	3	3.7	5.5	ns
TPLLS	Transmitter Phase Lock Loop Set (Figure 10)			10	ms
TPDD	Transmitter Powerdown Delay (Figure 14)			100	ns

Receiver Switching Characteristics

Over recommended operating supply and -40°C to $+85^{\circ}\text{C}$ ranges unless otherwise specified

Symbol	Parameter	Min	Typ	Max	Units	
CLHT	CMOS/TTL Low-to-High Transition Time (Figure 3)		2.2	5.0	ns	
CHLT	CMOS/TTL High-to-Low Transition Time (Figure 3)		2.2	5.0	ns	
RSPos0	Receiver Input Strobe Position for Bit 0 (Note 7)(Figure 17)	f = 40 MHz	1.0	1.4	2.15	ns
RSPos1	Receiver Input Strobe Position for Bit 1		4.5	5.0	5.8	ns
RSPos2	Receiver Input Strobe Position for Bit 2		8.1	8.5	9.15	ns
RSPos3	Receiver Input Strobe Position for Bit 3		11.6	11.9	12.6	ns
RSPos4	Receiver Input Strobe Position for Bit 4		15.1	15.6	16.3	ns
RSPos5	Receiver Input Strobe Position for Bit 5		18.8	19.2	19.9	ns
RSPos6	Receiver Input Strobe Position for Bit 6		22.5	22.9	23.6	ns
RSPos0	Receiver Input Strobe Position for Bit 0 (Note 6)(Figure 17)	f = 66 MHz	0.7	1.1	1.4	ns
RSPos1	Receiver Input Strobe Position for Bit 1		2.9	3.3	3.6	ns
RSPos2	Receiver Input Strobe Position for Bit 2		5.1	5.5	5.8	ns
RSPos3	Receiver Input Strobe Position for Bit 3		7.3	7.7	8.0	ns
RSPos4	Receiver Input Strobe Position for Bit 4		9.5	9.9	10.2	ns
RSPos5	Receiver Input Strobe Position for Bit 5		11.7	12.1	12.4	ns
RSPos6	Receiver Input Strobe Position for Bit 6		13.9	14.3	14.6	ns
RSKM	RxIN Skew Margin (Note 5) (Figure 18)	f = 40 MHz	490			ps
		f = 66 MHz	400			ps
RCOP	RxCLK OUT Period (Figure 7)		15	T	50	ns
RCOH	RxCLK OUT High Time (Figure 7)	f = 40 MHz	6.0	10.0		ns
		f = 66 MHz	4.0	6.1		ns
RCOL	RxCLK OUT Low Time (Figure 7)	f = 40 MHz	10.0	13.0		ns
		f = 66 MHz	6.0	7.8		ns

Receiver Switching Characteristics (Continued)

Over recommended operating supply and -40°C to $+85^{\circ}\text{C}$ ranges unless otherwise specified

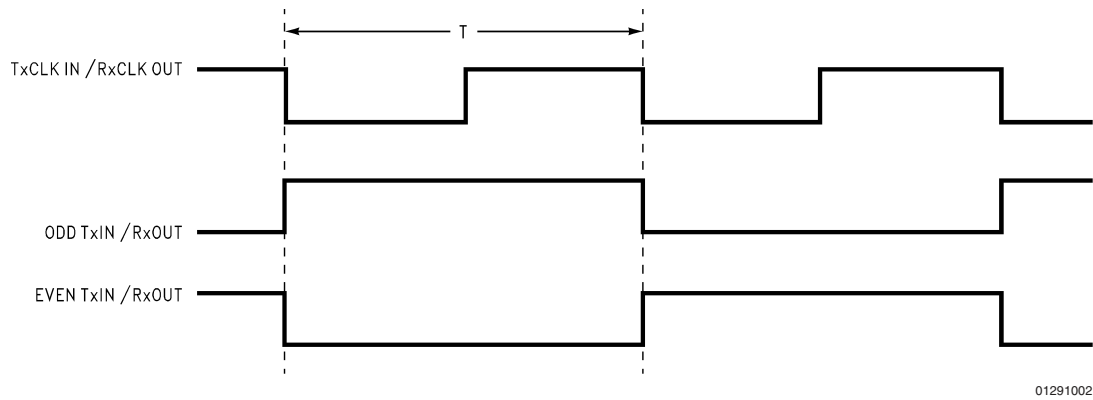
Symbol	Parameter	Min	Typ	Max	Units	
RSRC	RxOUT Setup to RxCLK OUT (Figure 7)	f = 40 MHz	6.5	14.0	ns	
		f = 66 MHz	2.5	8.0	ns	
RHRC	RxOUT Hold to RxCLK OUT (Figure 7)	f = 40 MHz	6.0	8.0	ns	
		f = 66 MHz	2.5	4.0	ns	
RCCD	RxCLK IN to RxCLK OUT Delay (Figure 9)	f = 40 MHz	4.0	6.7	8.0	ns
		f = 66 MHz	5.0	6.6	9.0	ns
RPLLS	Receiver Phase Lock Loop Set (Figure 11)			10	ms	
RPDD	Receiver Powerdown Delay (Figure 15)			1	μs	

Note 5: Receiver Skew Margin is defined as the valid data sampling region at the receiver inputs. This margin takes into account the transmitter pulse positions (min and max) and the receiver input setup and hold time (internal data sampling window). This margin allows LVDS interconnect skew, inter-symbol interference (both dependent on type/length of cable), and clock jitter less than 250 ps.

Note 6: The min. and max. limits are based on the worst bit by applying a $-400\text{ps}/+300\text{ps}$ shift from ideal position.

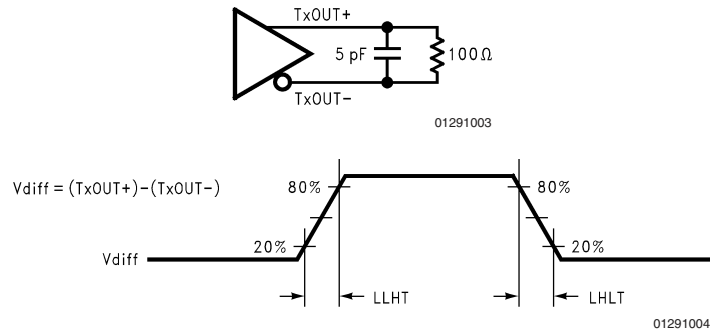
Note 7: The min. and max. are based on the actual bit position of each of the 7 bits within the LVDS data stream across PVT.

AC Timing Diagrams



01291002

FIGURE 1. "Worst Case" Test Pattern



01291004

FIGURE 2. DS90CR285 (Transmitter) LVDS Output Load and Transition Times

AC Timing Diagrams (Continued)

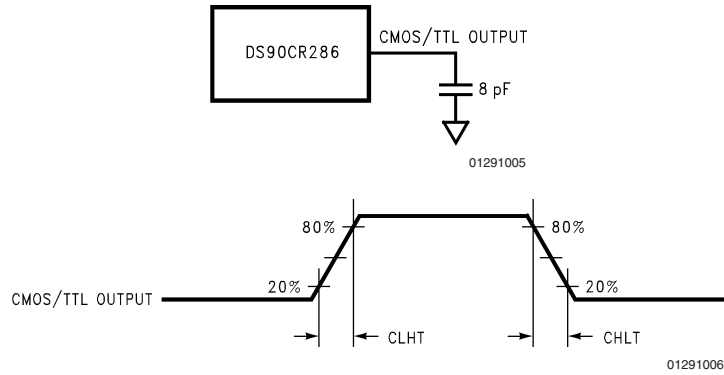


FIGURE 3. DS90CR286 (Receiver) CMOS/TTL Output Load and Transition Times

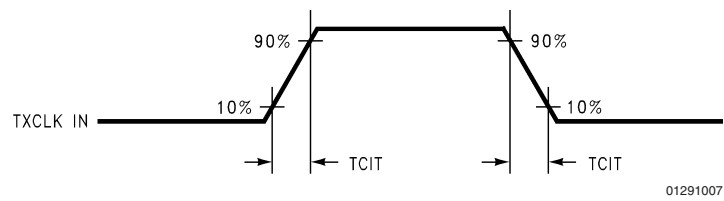
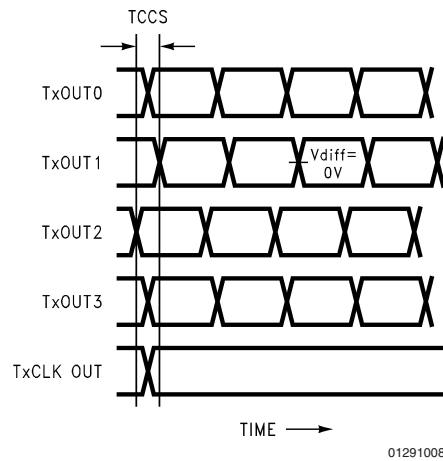


FIGURE 4. DS90CR285 (Transmitter) Input Clock Transition Time



Note 8: Measurements at $V_{DIFF} = 0V$

Note 9: TCCS measured between earliest and latest LVDS edges.

Note 10: TxCLK Differential Low→High Edge

FIGURE 5. DS90CR285 (Transmitter) Channel-to-Channel Skew

AC Timing Diagrams (Continued)

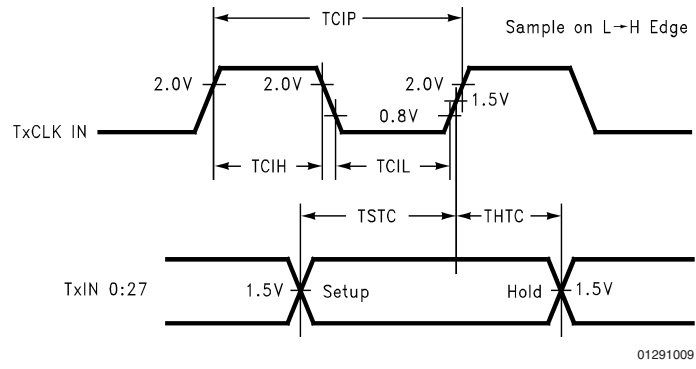


FIGURE 6. DS90CR285 (Transmitter) Setup/Hold and High/Low Times

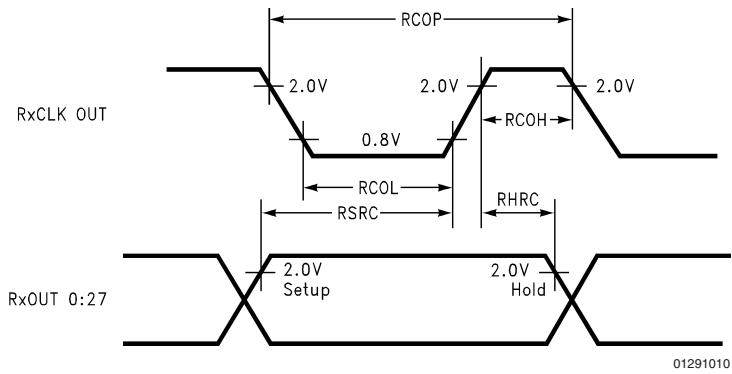


FIGURE 7. DS90CR286 (Receiver) Setup/Hold and High/Low Times

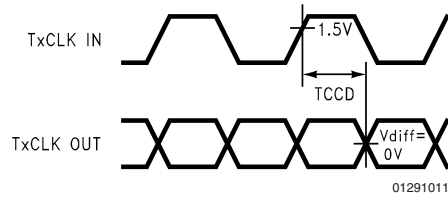


FIGURE 8. DS90CR285 (Transmitter) Clock In to Clock Out Delay

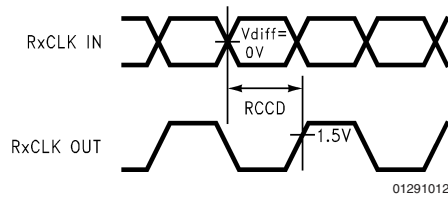


FIGURE 9. DS90CR286 (Receiver) Clock In to Clock Out Delay

AC Timing Diagrams (Continued)

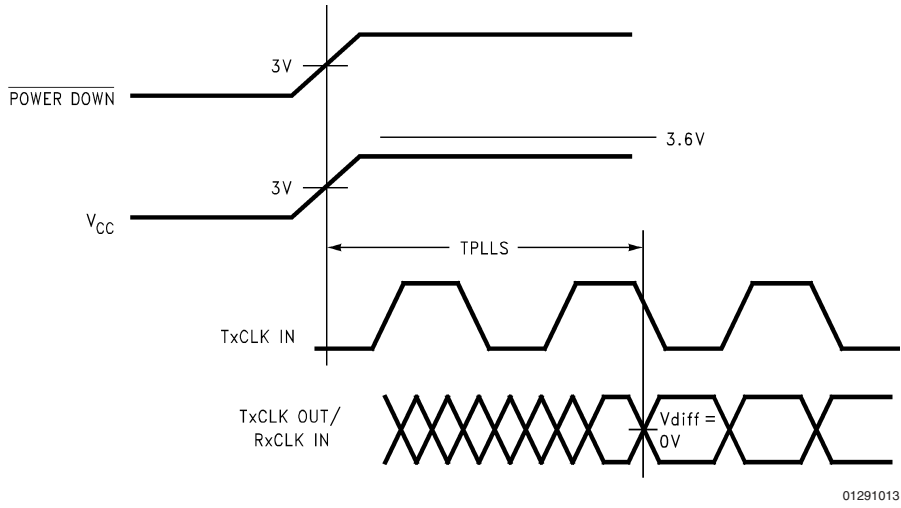


FIGURE 10. DS90CR285 (Transmitter) Phase Lock Loop Set Time

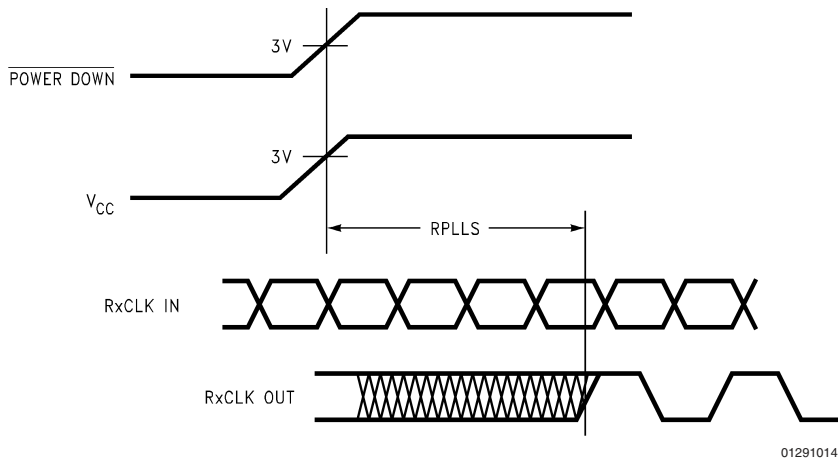


FIGURE 11. DS90CR286 (Receiver) Phase Lock Loop Set Time

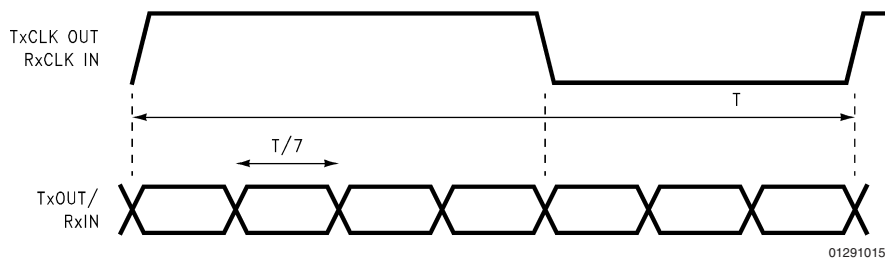


FIGURE 12. Seven Bits of LVDS in Once Clock Cycle

AC Timing Diagrams (Continued)

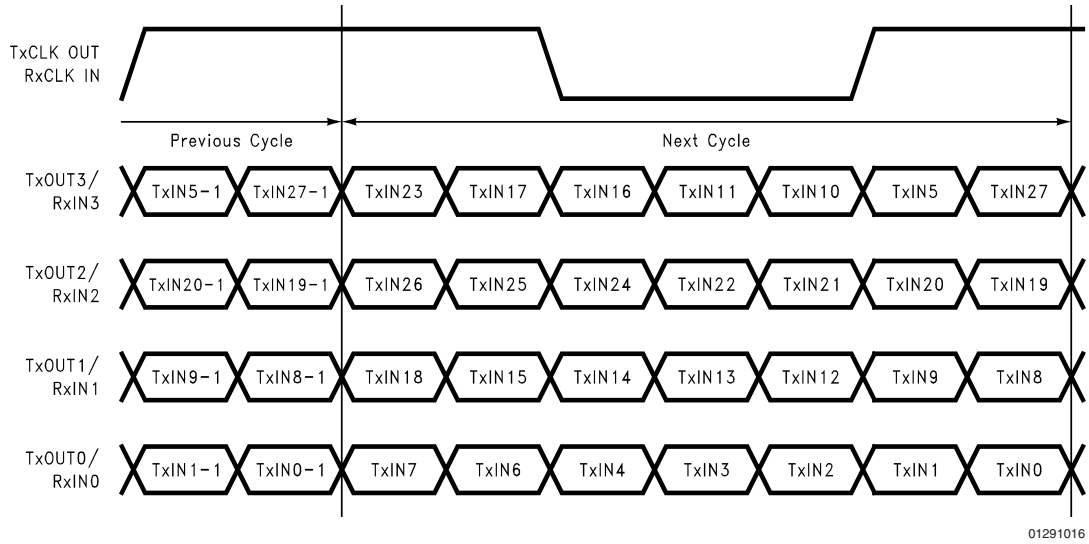


FIGURE 13. 28 Parallel TTL Data Inputs Mapped to LVDS Outputs

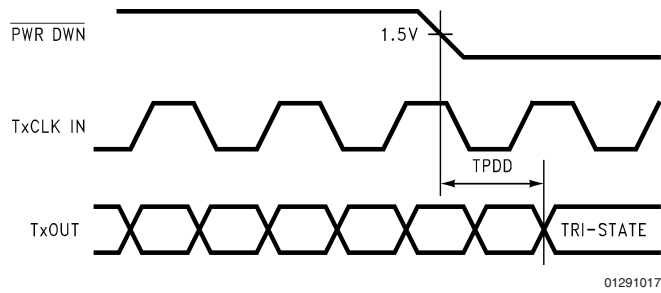


FIGURE 14. Transmitter Powerdown Delay

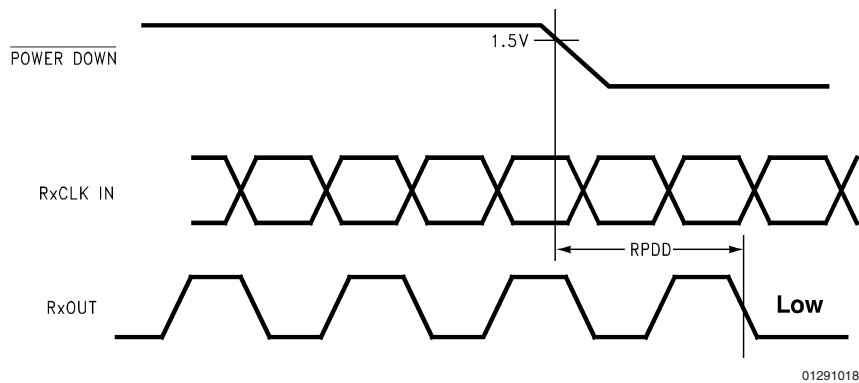
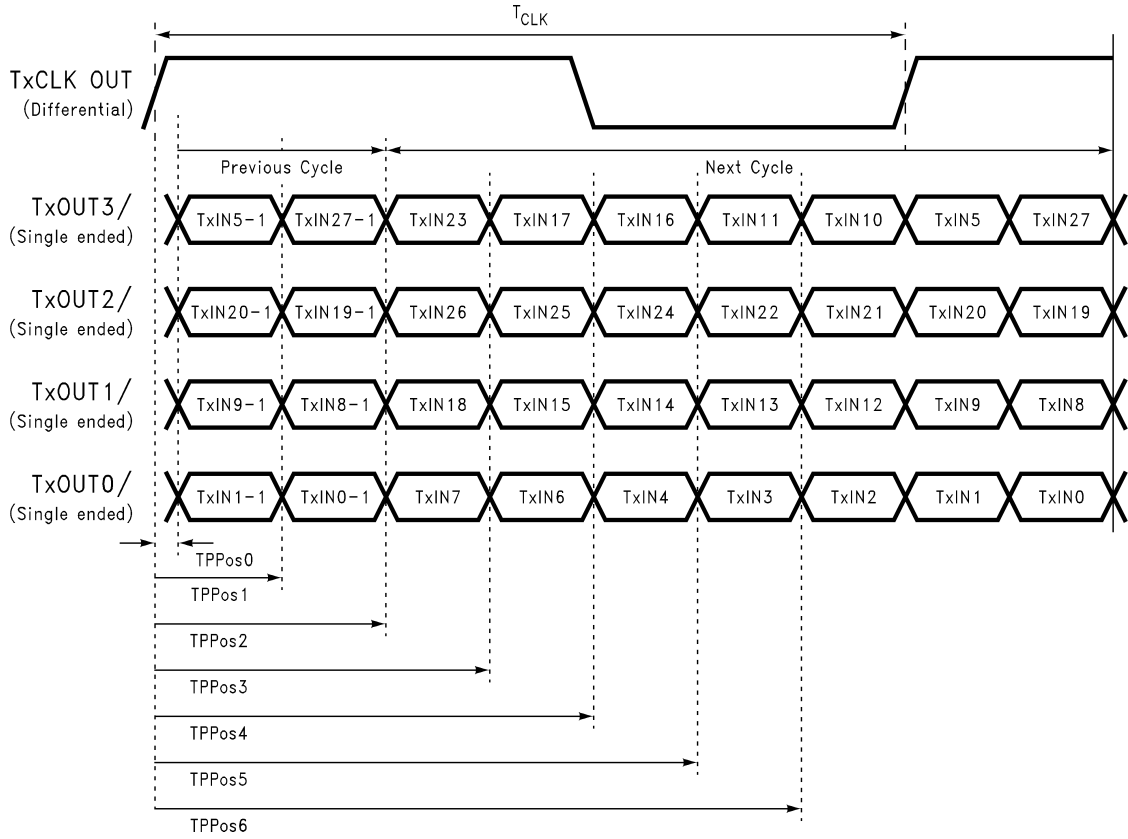


FIGURE 15. Receiver Powerdown Delay

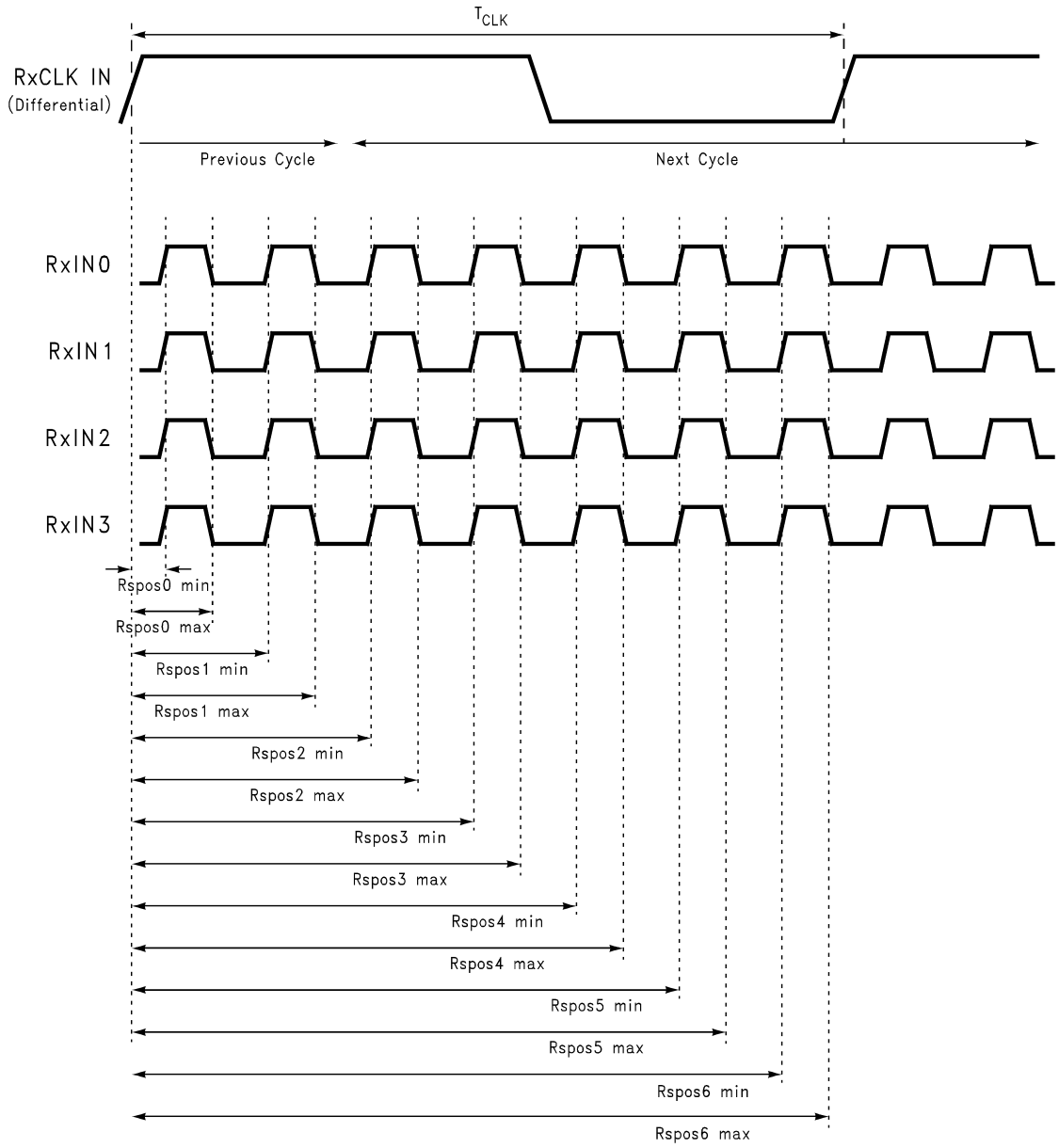
AC Timing Diagrams (Continued)



01291019

FIGURE 16. Transmitter LVDS Output Pulse Position Measurement

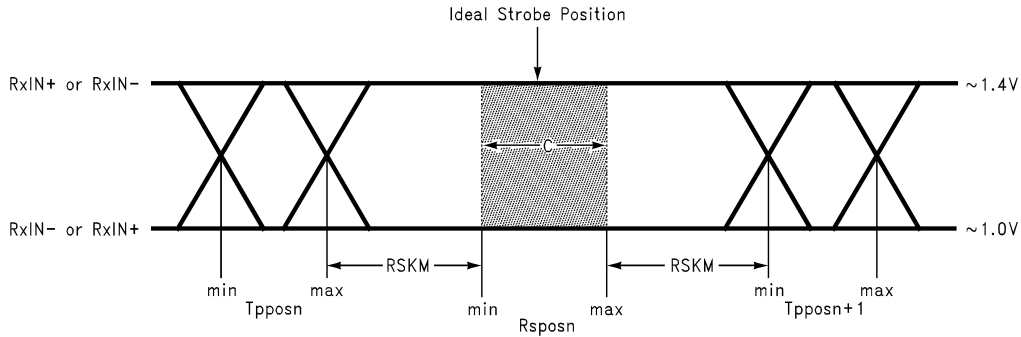
AC Timing Diagrams (Continued)



01291028

FIGURE 17. Receiver LVDS Input Strobe Position

AC Timing Diagrams (Continued)



01291020

C—Setup and Hold Time (Internal data sampling window) defined by Rspesn (receiver input strobe position) min and max

Tpposn—Transmitter output pulse position (min and max)

$RSKM \geq \text{Cable Skew (type, length) + Source Clock Jitter (cycle to cycle)(Note 11) + ISI (Inter-symbol interference)(Note 12)}$

Cable Skew—typically 10 ps–40 ps per foot, media dependent

Note 11: Cycle-to-cycle jitter is less than 250 ps

Note 12: ISI is dependent on interconnect length; may be zero

FIGURE 18. Receiver LVDS Input Skew Margin

Pin Descriptions

DS90CR285 MTD56 (TSSOP) Package Pin Description — Channel Link Transmitter

Pin Name	I/O	No.	Description
TxIN	I	28	TTL level input.
TxOUT+	O	4	Positive LVDS differential data output.
TxOUT-	O	4	Negative LVDS differential data output.
TxCLK IN	I	1	TTL level clock input. The rising edge acts as data strobe. Pin name TxCLK IN.
TxCLK OUT+	O	1	Positive LVDS differential clock output.
TxCLK OUT-	O	1	Negative LVDS differential clock output.
PWR DWN	I	1	TTL level input. Assertion (low input) TRI-STATES the outputs, ensuring low current at power down.
V _{CC}	I	4	Power supply pins for TTL inputs.
GND	I	5	Ground pins for TTL inputs.
PLL V _{CC}	I	1	Power supply pin for PLL.
PLL GND	I	2	Ground pins for PLL.
LVDS V _{CC}	I	1	Power supply pin for LVDS outputs.
LVDS GND	I	3	Ground pins for LVDS outputs.

DS90CR286 MTD56 (TSSOP) Package Pin Description — Channel Link Receiver

Pin Name	I/O	No.	Description
RxIN+	I	4	Positive LVDS differential data inputs.
RxIN-	I	4	Negative LVDS differential data inputs.
RxOUT	O	28	TTL level data outputs.
RxCLK IN+	I	1	Positive LVDS differential clock input.
RxCLK IN-	I	1	Negative LVDS differential clock input.
RxCLK OUT	O	1	TTL level clock output. The rising edge acts as data strobe. Pin name RxCLK OUT.
PWR DWN	I	1	TTL level input. When asserted (low input) the receiver outputs are low.
V _{CC}	I	4	Power supply pins for TTL outputs.
GND	I	5	Ground pins for TTL outputs.
PLL V _{CC}	I	1	Power supply for PLL.

DS90CR286 MTD56 (TSSOP) Package Pin Description — Channel Link Receiver (Continued)

Pin Name	I/O	No.	Description
PLL GND	I	2	Ground pin for PLL.
LVDS V _{CC}	I	1	Power supply pin for LVDS inputs.
LVDS GND	I	3	Ground pins for LVDS inputs.

Applications Information

The Channel Link devices are intended to be used in a wide variety of data transmission applications. Depending upon the application the interconnecting media may vary. For example, for lower data rate (clock rate) and shorter cable lengths (< 2m), the media electrical performance is less critical. For higher speed/long distance applications the media's performance becomes more critical. Certain cable constructions provide tighter skew (matched electrical length between the conductors and pairs). Twin-coax for example, has been demonstrated at distances as great as 5 meters and with the maximum data transfer of 1.848 Gbit/s. Additional applications information can be found in the following National Interface Application Notes:

AN = ####	Topic
AN-1041	Introduction to Channel Link
AN-1108	Channel Link PCB and Interconnect Design-In Guidelines
AN-806	Transmission Line Theory
AN-905	Transmission Line Calculations and Differential Impedance
AN-916	Cable Information

CABLES: A cable interface between the transmitter and receiver needs to support the differential LVDS pairs. The 21-bit CHANNEL LINK chipset (DS90CR215/216) requires four pairs of signal wires and the 28-bit CHANNEL LINK chipset (DS90CR285/286) requires five pairs of signal wires. The ideal cable/connector interface would have a constant 100Ω differential impedance throughout the path. It is also recommended that cable skew remain below 150 ps (@ 66 MHz clock rate) to maintain a sufficient data sampling window at the receiver.

In addition to the four or five cable pairs that carry data and clock, it is recommended to provide at least one additional conductor (or pair) which connects ground between the transmitter and receiver. This low impedance ground provides a common mode return path for the two devices. Some of the more commonly used cable types for point-to-point applications include flat ribbon, flex, twisted pair and Twin-Coax. All are available in a variety of configurations and options. Flat ribbon cable, flex and twisted pair generally perform well in short point-to-point applications while Twin-Coax is good for short and long applications. When using ribbon cable, it is recommended to place a ground line between each differential pair to act as a barrier to noise coupling between adjacent pairs. For Twin-Coax cable applications, it is recommended to utilize a shield on each cable pair. All extended point-to-point applications should also employ an overall shield surrounding all cable pairs regardless of the cable type. This overall shield results in improved transmission parameters such as faster attainable speeds, longer distances between transmitter and receiver and reduced problems associated with EMS or EMI.

The high-speed transport of LVDS signals has been demonstrated on several types of cables with excellent results. However, the best overall performance has been seen when

using Twin-Coax cable. Twin-Coax has very low cable skew and EMI due to its construction and double shielding. All of the design considerations discussed here and listed in the supplemental application notes provide the subsystem communications designer with many useful guidelines. It is recommended that the designer assess the tradeoffs of each application thoroughly to arrive at a reliable and economical cable solution.

BOARD LAYOUT: To obtain the maximum benefit from the noise and EMI reductions of LVDS, attention should be paid to the layout of differential lines. Lines of a differential pair should always be adjacent to eliminate noise interference from other signals and take full advantage of the noise canceling of the differential signals. The board designer should also try to maintain equal length on signal traces for a given differential pair. As with any high speed design, the impedance discontinuities should be limited (reduce the numbers of vias and no 90 degree angles on traces). Any discontinuities which do occur on one signal line should be mirrored in the other line of the differential pair. Care should be taken to ensure that the differential trace impedance match the differential impedance of the selected physical media (this impedance should also match the value of the termination resistor that is connected across the differential pair at the receiver's input). Finally, the location of the CHANNEL LINK TxOUT/RxIN pins should be as close as possible to the board edge so as to eliminate excessive pcb runs. All of these considerations will limit reflections and crosstalk which adversely effect high frequency performance and EMI.

UNUSED INPUTS: All unused inputs at the TxIN inputs of the transmitter must be tied to ground. All unused outputs at the RxOUT outputs of the receiver must then be left floating.

INPUTS: The TxIN and control inputs are compatible with LVCMOS and LVTTTL levels. These pins are not 5V tolerant.

TERMINATION: Use of current mode drivers requires a terminating resistor across the receiver inputs. The CHANNEL LINK chipset will normally require a single 100Ω resistor between the true and complement lines on each differential pair of the receiver input. The actual value of the termination resistor should be selected to match the differential mode characteristic impedance (90Ω to 120Ω typical) of the cable. *Figure 19* shows an example. No additional pull-up or pull-down resistors are necessary as with some other differential technologies such as PECL. Surface mount resistors are recommended to avoid the additional inductance that accompanies leaded resistors. These resistors should be placed as close as possible to the receiver input pins to reduce stubs and effectively terminate the differential lines.

DECOUPLING CAPACITORS: Bypassing capacitors are needed to reduce the impact of switching noise which could limit performance. For a conservative approach three parallel-connected decoupling capacitors (Multi-Layered Ceramic type in surface mount form factor) between each V_{CC} and the ground plane(s) are recommended. The three capacitor values are 0.1 μF, 0.01μF and 0.001 μF. An example is shown in *Figure 20*. The designer should employ wide traces for power and ground and ensure each capacitor has its own via to the ground plane. If board space is limiting the

Applications Information (Continued)

number of bypass capacitors, the PLL V_{CC} should receive

the most filtering/bypassing. Next would be the LVDS V_{CC} pins and finally the logic V_{CC} pins.

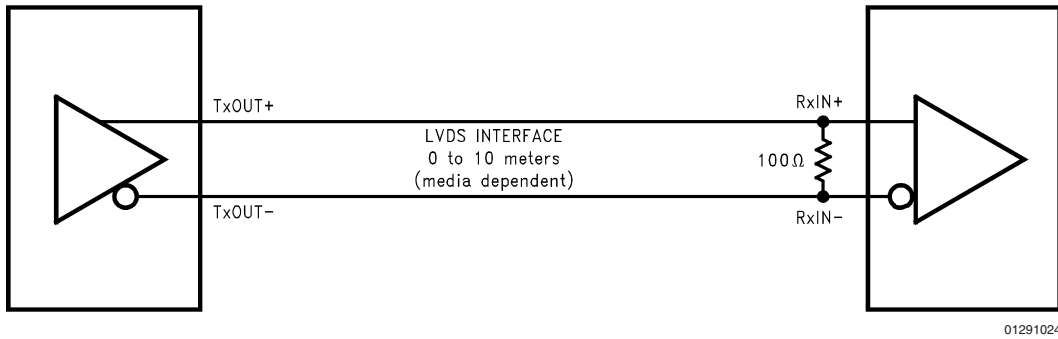


FIGURE 19. LVDS Serialized Link Termination

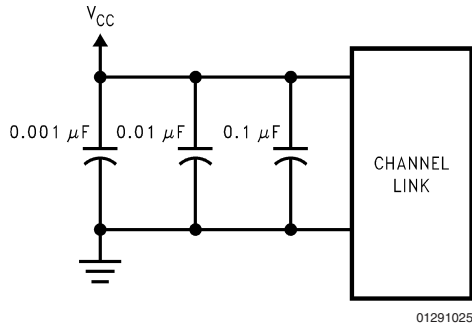


FIGURE 20. CHANNEL LINK Decoupling Configuration

CLOCK JITTER: The CHANNEL LINK devices employ a PLL to generate and recover the clock transmitted across the LVDS interface. The width of each bit in the serialized LVDS data stream is one-seventh the clock period. For example, a 66 MHz clock has a period of 15 ns which results in a data bit width of 2.16 ns. Differential skew (Δt within one differential pair), interconnect skew (Δt of one differential pair to another) and clock jitter will all reduce the available window for sampling the LVDS serial data streams. Care must be taken to ensure that the clock input to the transmitter be a clean low noise signal. Individual bypassing of each V_{CC} to ground will minimize the noise passed on to the PLL, thus creating a low jitter LVDS clock. These measures provide more margin

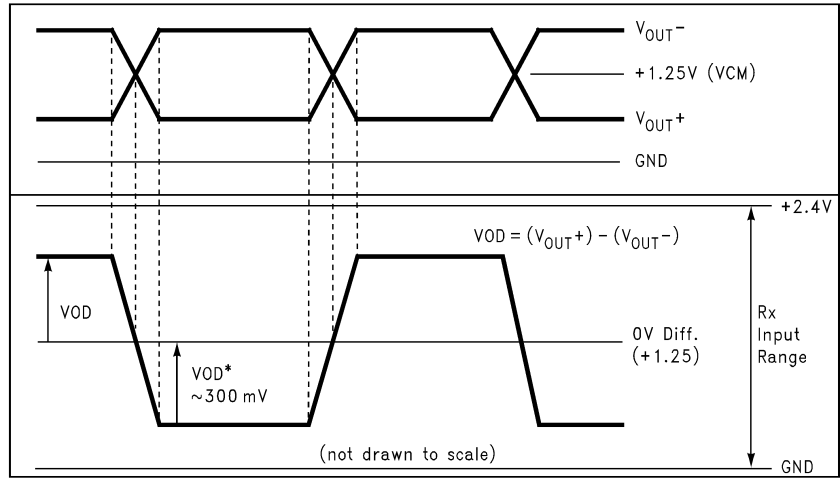
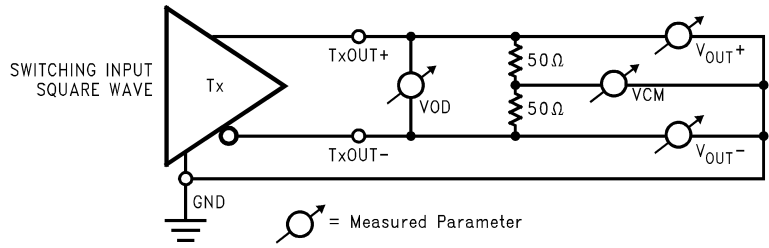
for channel-to-channel skew and interconnect skew as a part of the overall jitter/skew budget.

COMMON MODE vs. DIFFERENTIAL MODE NOISE MARGIN: The typical signal swing for LVDS is 300 mV centered at +1.2V. The CHANNEL LINK receiver supports a 100 mV threshold therefore providing approximately 200 mV of differential noise margin. Common mode protection is of more importance to the system's operation due to the differential data transmission. LVDS supports an input voltage range of Ground to +2.4V. This allows for a $\pm 1.0V$ shifting of the center point due to ground potential differences and common mode noise.

POWER SEQUENCING AND POWERDOWN MODE: Outputs of the CHANNEL LINK transmitter remain in TRI-STATE[®] until the power supply reaches 2V. Clock and data outputs will begin to toggle 10 ms after V_{CC} has reached 3V and the Powerdown pin is above 1.5V. Either device may be placed into a powerdown mode at any time by asserting the Powerdown pin (active low). Total power dissipation for each device will decrease to 5 μW (typical).

The CHANNEL LINK chipset is designed to protect itself from accidental loss of power to either the transmitter or receiver. If power to the transmit board is lost, the receiver clocks (input and output) stop. The data outputs (RxOUT) retain the states they were in when the clocks stopped. When the receiver board loses power, the receiver inputs are shorted to V_{CC} through an internal diode. Current is limited (5 mA per input) by the fixed current mode drivers, thus avoiding the potential for latchup when powering the device.

Applications Information (Continued)

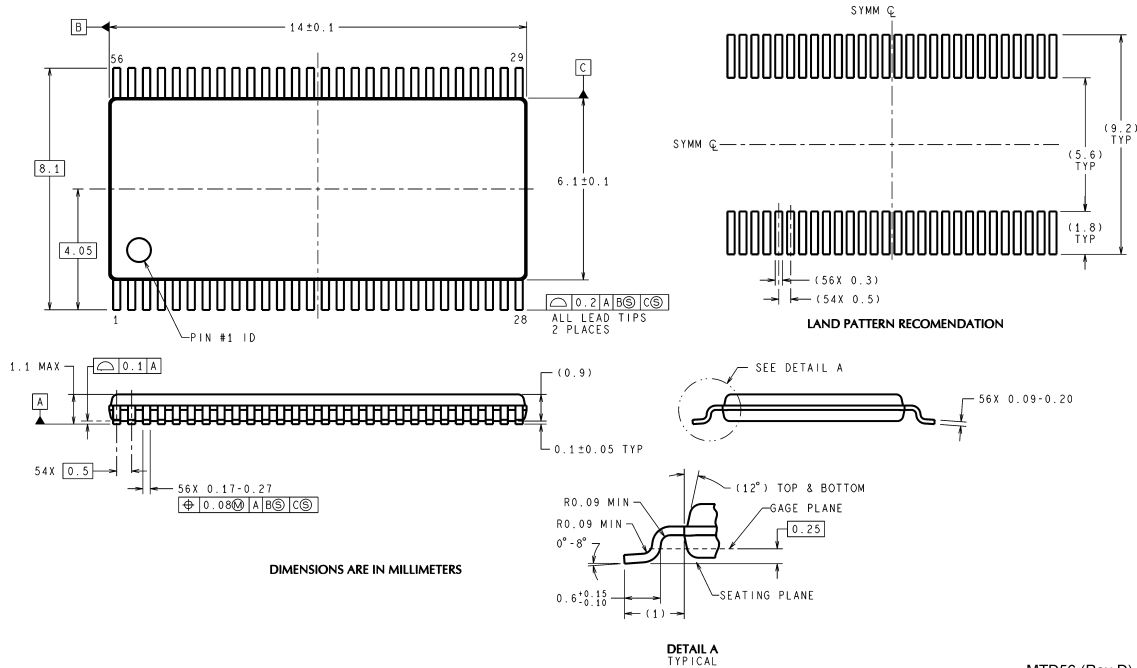


01291026

FIGURE 21. Single-Ended and Differential Waveforms

Physical Dimensions inches (millimeters)

unless otherwise noted



Order Number DS90CR285MTD or DS90CR286MTD
NS Package Number MTD56

MTD56 (Rev D)

LIFE SUPPORT POLICY

NATIONAL'S PRODUCTS ARE NOT AUTHORIZED FOR USE AS CRITICAL COMPONENTS IN LIFE SUPPORT DEVICES OR SYSTEMS WITHOUT THE EXPRESS WRITTEN APPROVAL OF THE PRESIDENT AND GENERAL COUNSEL OF NATIONAL SEMICONDUCTOR CORPORATION. As used herein:

1. Life support devices or systems are devices or systems which, (a) are intended for surgical implant into the body, or (b) support or sustain life, and whose failure to perform when properly used in accordance with instructions for use provided in the labeling, can be reasonably expected to result in a significant injury to the user.
2. A critical component is any component of a life support device or system whose failure to perform can be reasonably expected to cause the failure of the life support device or system, or to affect its safety or effectiveness.

BANNED SUBSTANCE COMPLIANCE

National Semiconductor certifies that the products and packing materials meet the provisions of the Customer Products Stewardship Specification (CSP-9-111C2) and the Banned Substances and Materials of Interest Specification (CSP-9-111S2) and contain no "Banned Substances" as defined in CSP-9-111S2.



National Semiconductor
Americas Customer
Support Center
Email: new.feedback@nsc.com
Tel: 1-800-272-9959

National Semiconductor
Europe Customer Support Center
Fax: +49 (0) 180-530 85 86
Email: europe.support@nsc.com
Deutsch Tel: +49 (0) 69 9508 6208
English Tel: +44 (0) 870 24 0 2171
Français Tel: +33 (0) 1 41 91 8790

National Semiconductor
Asia Pacific Customer
Support Center
Email: ap.support@nsc.com

National Semiconductor
Japan Customer Support Center
Fax: 81-3-5639-7507
Email: jpn.feedback@nsc.com
Tel: 81-3-5639-7560

www.national.com